



Snowman

WELCOME TO THE ICE AGE



Snowman



WHAT MAKES THIS COOLER SO COOL?

Superior design, inside and out.

Virtually indestructible roto-molded HDPE (high density polyethylene) shell won't warp, crack, sweat or leak.

Over 2 inches of polyurethane foam in the walls and lid.

SA models hold ice for up to 5 days, SD and SR hold ice up to 7 days.

Flexible rubber lid latches that will never rust, bind or break.

Interlocking lid channel with commercial-grade freezer gasket

Full-width continuous steel hinge pin for perfect lid alignment and smooth operation.

Military-grade polyester rope handles with comfortable grips that automatically re-center when lifted.

Molded openings for security locks and tie-downs make it bear-proof!

Solid interior divider panel doubles as a cutting board.

Hanging basket keeps food dry.

Built-in drain clears melt water without tilting.

Sturdy enough to withstand bumps, drops - even being run over by a car

Backed by a limited lifetime warranty.

**Snowman**



HOME360MARKET.COM

Snowman

CHILL OUT WITH THE ULTIMATE COOLER



SA26 SNOWMAN COOLER

	38 CANS OF SODA	OR		22 POUNDS OF ICE
---	--------------------	----	--	---------------------

This is a great personal cooler. This cooler keeps your food & drinks colder longer and holds up to 38 cans plus ice. It's very practical for everyday use and can be taken to work, camping, hunting, or fishing. You can chill out anywhere!



INTEGRATED HINGE SYSTEM

Full-width continuous hinge with steel pin for perfect alignment and smooth operation



INTERLOCKING LID SYSTEM

Deep overlapping channel with a tough, freezer-grade flexible sealing gasket



DEEP MOLDED-IN HANDLES

Plenty of finger room ensures a solid grip for easier lifting. Also includes molded tie-down slots



COMFORTABLE ROPE HANDLES

Military-grade polyester rope with sliding grips that automatically re-center when lifted



ULTIMATE INSULATION

Commercial-grade polyurethane foam in the walls and lid can keep ice frozen for up to five days!



ROTOMOLDED CONSTRUCTION

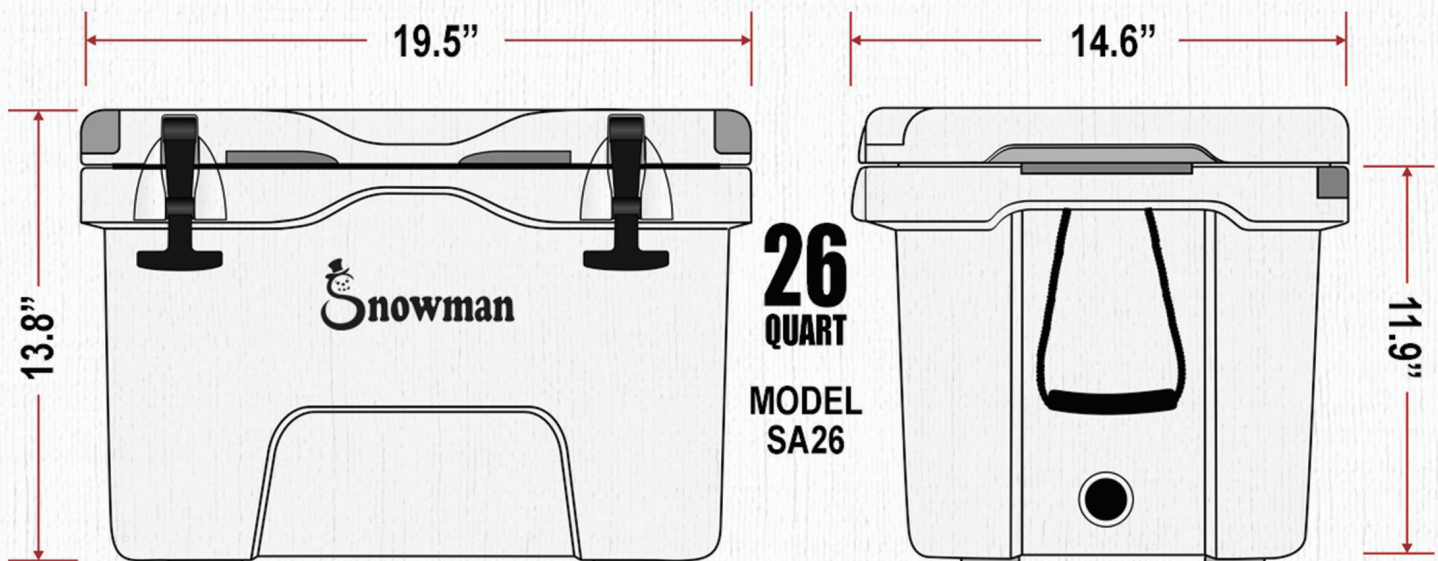
Virtually indestructible HDPE (high density polyethylene) shell that won't warp, crack, sweat or leak!



SUPERIOR DESIGN, INSIDE & OUT

Extra-thick walls hold up to two inches of closed-cell moisture-resistant insulation for unmatched thermal performance.

SA26





Snowman

CHILL OUT WITH THE ULTIMATE COOLER



SA37 SNOWMAN COOLER

	50 CANS OF SODA	OR		32 POUNDS OF ICE
---	--------------------	----	--	---------------------

The SA37 is the right size for personal hauls or food for a small crew. It boasts up to three inches of insulation and rugged rotomolded construction for optimum adventure performance. It fits nicely in an inner tube, making it the perfect portable cooler to take tubing down the river.



SUPERIOR DESIGN, INSIDE & OUT

Extra-thick walls hold up to two inches of closed-cell moisture-resistant insulation for unmatched thermal performance.

SA37



INTEGRATED HINGE SYSTEM

Full-width continuous hinge with steel pin for perfect alignment and smooth operation



INTERLOCKING LID SYSTEM

Deep overlapping channel with a tough, freezer-grade flexible sealing gasket



DEEP MOLDED-IN HANDLES

Plenty of finger room ensures a solid grip for easier lifting. Also includes molded tie-down slots



COMFORTABLE ROPE HANDLES

Military-grade polyester rope with sliding grips that automatically re-center when lifted



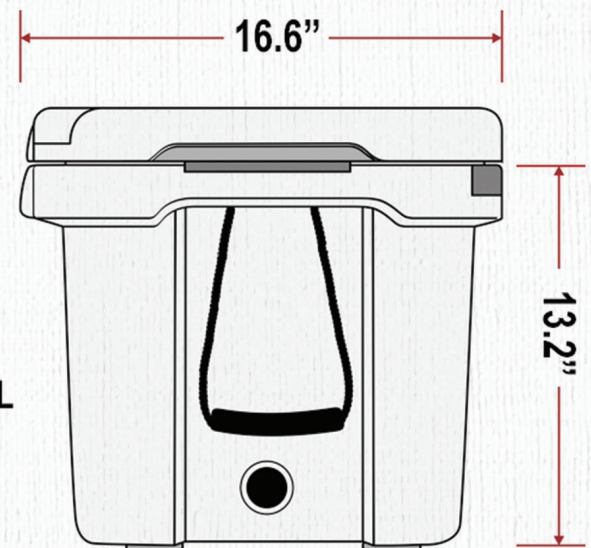
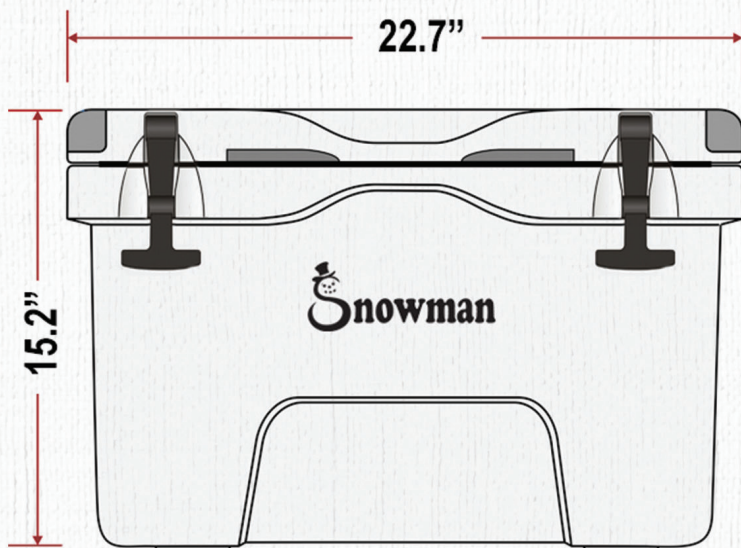
ULTIMATE INSULATION

Commercial-grade polyurethane foam in the walls and lid can keep ice frozen for up to five days!



ROTOMOLDED CONSTRUCTION

Virtually indestructible HDPE (high density polyethylene) shell that won't warp, crack, sweat or leak!



37
QUART
MODEL
SA37

Snowman

CHILL OUT WITH THE ULTIMATE COOLER



SA48 SNOWMAN COOLER



78 CANS
OF SODA

OR



40 POUNDS
OF ICE

This midsize cooler makes a perfect multi-purpose cooler, and can be carried by one person. The SA48 can pull double duty as a bench, nonslip step stool, tabletop or extra cutting board while keeping ice, perishables, and vital supplies cold.



INTEGRATED HINGE SYSTEM

Full-width continuous hinge with steel pin for perfect alignment and smooth operation



INTERLOCKING LID SYSTEM

Deep overlapping channel with a tough, freezer-grade flexible sealing gasket



DEEP MOLDED-IN HANDLES

Plenty of finger room ensures a solid grip for easier lifting. Also includes molded tie-down slots



COMFORTABLE ROPE HANDLES

Military-grade polyester rope with sliding grips that automatically re-center when lifted



ULTIMATE INSULATION

Commercial-grade polyurethane foam in the walls and lid can keep ice frozen for up to five days!



ROTOMOLDED CONSTRUCTION

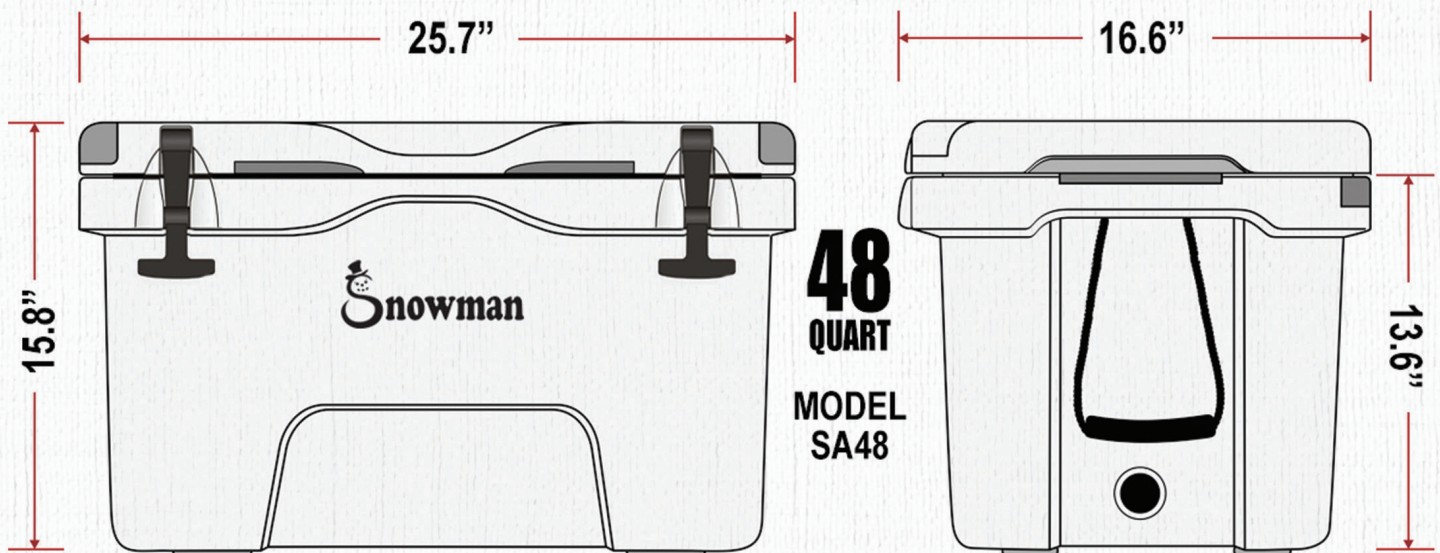
Virtually indestructible HDPE (high density polyethylene) shell that won't warp, crack, sweat or leak!



SUPERIOR DESIGN, INSIDE & OUT

Extra-thick walls hold up to two inches of closed-cell moisture-resistant insulation for unmatched thermal performance.

SA48



Snowman

CHILL OUT WITH THE ULTIMATE COOLER



SA69 SNOWMAN COOLER



116 CANS
OF SODA

OR



58 POUNDS
OF ICE

This cooler is the best large cooler available on the market. The SA69 makes an ideal marine, hunting or camping cooler, and is still small enough for one person to carry. Keep your drinks, food, and meat cold on those long camping trips!



INTEGRATED HINGE SYSTEM

Full-width continuous hinge with steel pin for perfect alignment and smooth operation



INTERLOCKING LID SYSTEM

Deep overlapping channel with a tough, freezer-grade flexible sealing gasket



DEEP MOLDED-IN HANDLES

Plenty of finger room ensures a solid grip for easier lifting. Also includes molded tie-down slots



COMFORTABLE ROPE HANDLES

Military-grade polyester rope with sliding grips that automatically re-center when lifted



ULTIMATE INSULATION

Commercial-grade polyurethane foam in the walls and lid can keep ice frozen for up to five days!



ROTOMOLDED CONSTRUCTION

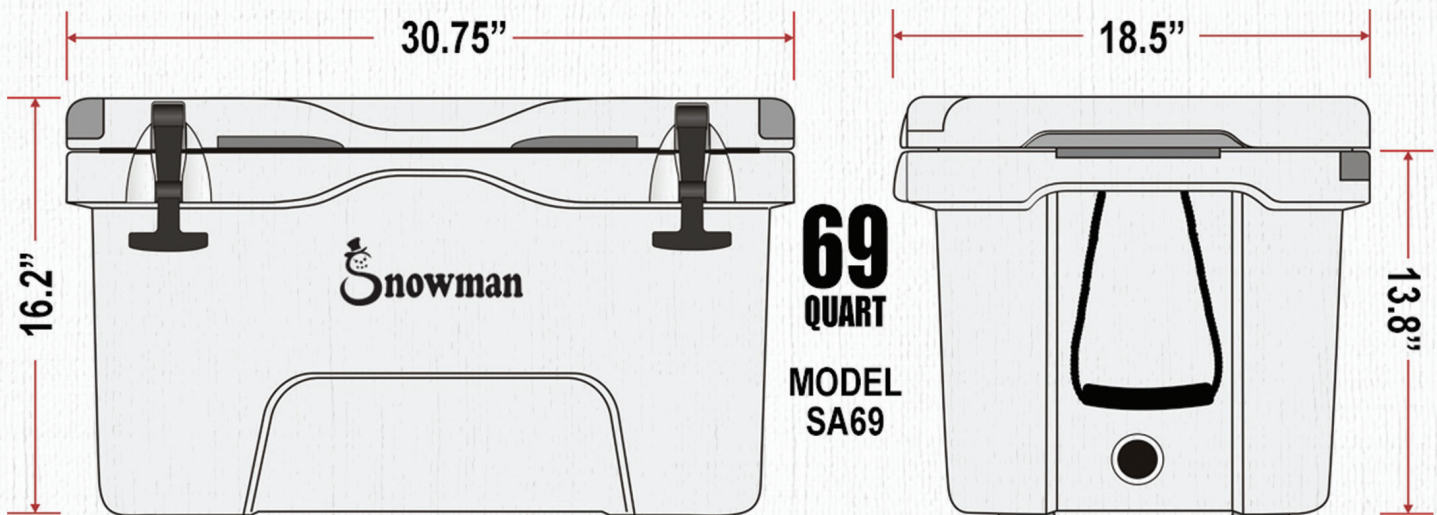
Virtually indestructible HDPE (high density polyethylene) shell that won't warp, crack, sweat or leak!



SUPERIOR DESIGN, INSIDE & OUT

Extra-thick walls hold up to two inches of closed-cell moisture-resistant insulation for unmatched thermal performance.

SA69





Snowman

CHILL OUT WITH THE ULTIMATE COOLER



SA90 SNOWMAN COOLER

	156 CANS OF SODA	OR		64 POUNDS OF ICE
---	---------------------	----	--	---------------------

The SA90 cooler is ideal for keeping your family and friends fed and hydrated at a tailgate barbecue, or a day at the lake. It will protect your food & drinks from energetic party crashers than standard coolers. and is the ideal cooler for outdoor adventures.



INTEGRATED HINGE SYSTEM

Full-width continuous hinge with steel pin for perfect alignment and smooth operation



INTERLOCKING LID SYSTEM

Deep overlapping channel with a tough, freezer-grade flexible sealing gasket



DEEP MOLDED-IN HANDLES

Plenty of finger room ensures a solid grip for easier lifting. Also includes molded tie-down slots



COMFORTABLE ROPE HANDLES

Military-grade polyester rope with sliding grips that automatically re-center when lifted



ULTIMATE INSULATION

Commercial-grade polyurethane foam in the walls and lid can keep ice frozen for up to five days!



ROTOMOLDED CONSTRUCTION

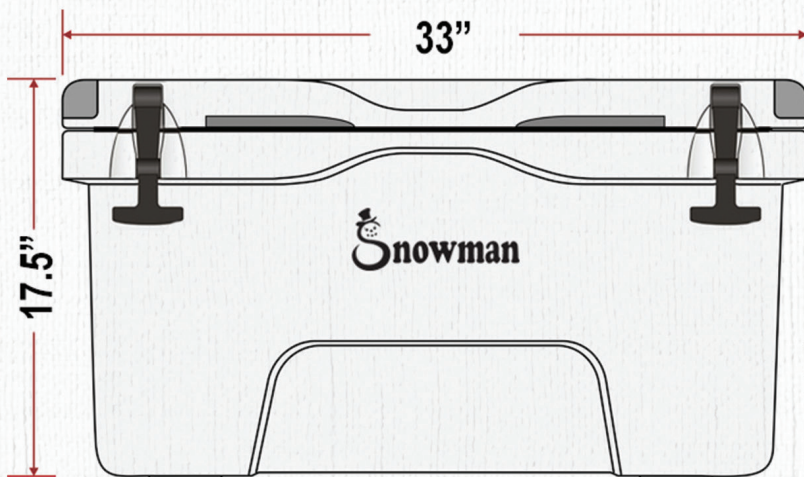
Virtually indestructible HDPE (high density polyethylene) shell that won't warp, crack, sweat or leak!



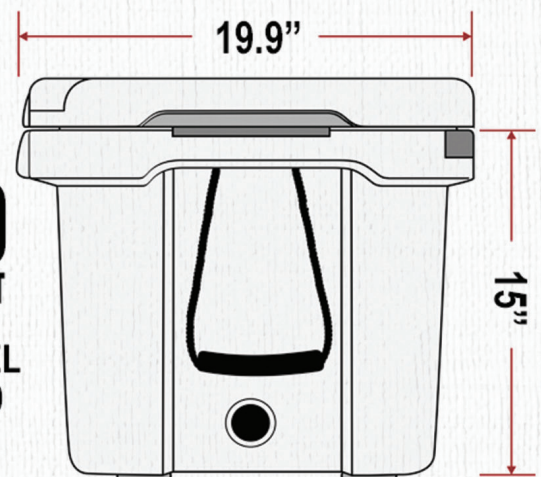
SUPERIOR DESIGN, INSIDE & OUT

Extra-thick walls hold up to two inches of closed-cell moisture-resistant insulation for unmatched thermal performance.

SA90



90
QUART
MODEL
SA90





Snowman

CHILL OUT WITH THE ULTIMATE COOLER



SD37 SNOWMAN COOLER

	51 CANS OF SODA	OR		32 POUNDS OF ICE
---	--------------------	----	--	---------------------

Party anywhere you want with the SD37 cooler, featuring one-of-a-kind mobility. It features a hinged lid, heavy duty wheels and an extending handle for rugged transport. The lid doubles as an extra seat and has 2 deep cup holders in the top.

You can truly chill anywhere!

ROLLS ON WHEELS

Solid cast-poly wheels with steel axles

TELESCOPING HANDLE

Lifts for pulling behind, folds down when not in use

BUILT IN BOTTLE OPENERS

Two steel openers attached
Never search for a lost opener again!



SUPERIOR DESIGN, INSIDE & OUT

Extra-thick walls hold up to two inches of closed-cell moisture-resistant insulation for unmatched thermal performance.

SD37



INTEGRATED HINGE SYSTEM

Two interlocking hinges with steel pins for perfect alignment and smooth operation



INTERLOCKING LID SYSTEM

Deep overlapping channel with a tough, freezer-grade flexible sealing gasket



DEEP MOLDED-IN HANDLES

Plenty of finger room ensures a solid grip for easier lifting. Also includes molded tie-down slots



COMFORTABLE ROPE HANDLES

Military-grade polyester rope with sliding grips that automatically re-center when lifted



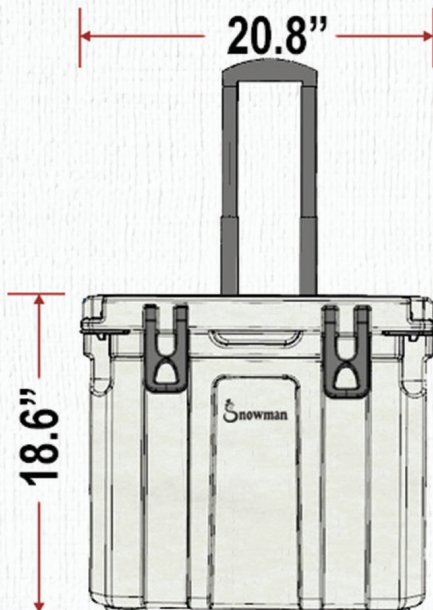
ULTIMATE INSULATION

Commercial-grade polyurethane foam in the walls and lid can keep ice frozen for up to five days!

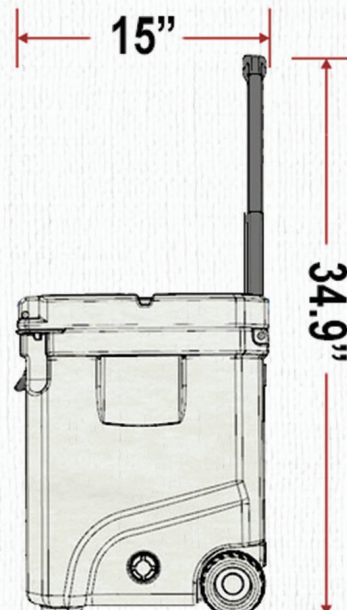


ROTMOLDED CONSTRUCTION

Virtually indestructible HDPE (high density polyethylene) shell that won't warp, crack, sweat or leak!



37
QUART
MODEL
SD37



Snowman

CHILL OUT WITH THE ULTIMATE COOLER



SD136 SNOWMAN COOLER



**196 CANS
OF SODA**

OR



**150 POUNDS
OF ICE**

This SD136 cooler is an all-in-one, super-large, super-capable cooler; with 2 heavy duty wheels, a ruler on the lid, a handle for rolling, 4 Skid resistant feet, and removable handles that are easily replaceable. It also comes with two stainless steel bottle openers that also double as locks for your cooler. This cooler is built for whatever mother nature throws its way!

ROLLS ON WHEELS

Solid cast-poly wheels with steel axles

BUILT IN BOTTLE OPENERS

Two steel openers attached
Never search for a lost opener again!



INTEGRATED HINGE SYSTEM

Full-width continuous hinge with steel pin for perfect alignment and smooth operation



INTERLOCKING LID SYSTEM

Deep overlapping channel with a tough, freezer-grade flexible sealing gasket



DEEP MOLDED-IN HANDLES

Plenty of finger room ensures a solid grip for easier lifting. Also includes molded tie-down slots



COMFORTABLE ROPE HANDLES

Military-grade polyester rope with sliding grips that automatically re-center when lifted



ULTIMATE INSULATION

Commercial-grade polyurethane foam in the walls and lid can keep ice frozen for up to five days!



ROTMOLDED CONSTRUCTION

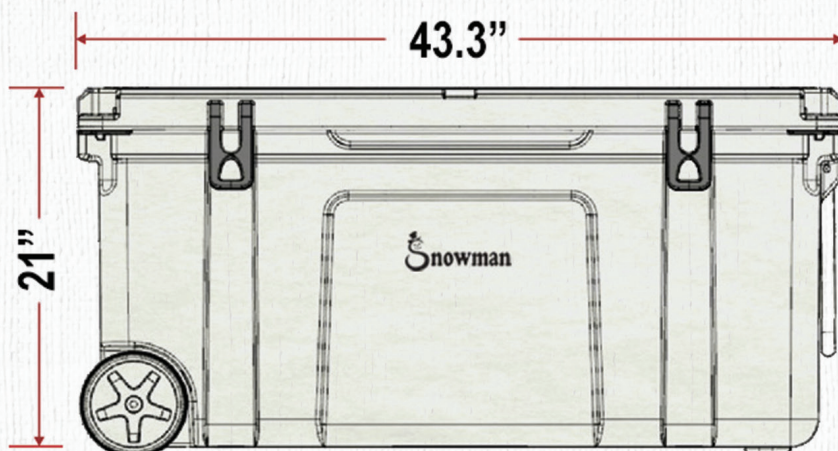
Virtually indestructible HDPE (high density polyethylene) shell that won't warp, crack, sweat or leak!



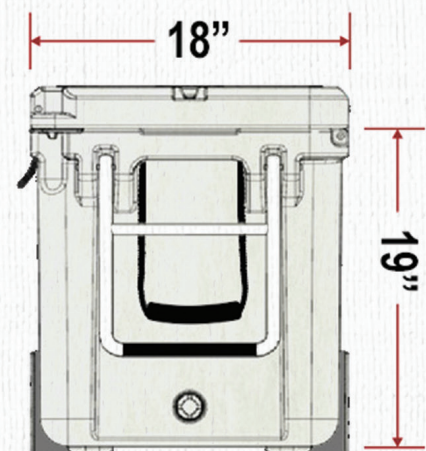
SUPERIOR DESIGN, INSIDE & OUT

Extra-thick walls hold up to two inches of closed-cell moisture-resistant insulation for unmatched thermal performance.

SD136



136
QUART
MODEL
SD136





Snowman

CHILL OUT WITH THE ULTIMATE COOLER



SR26 SNOWMAN COOLER



	38 CANS OF SODA	OR		22 POUNDS OF ICE
---	--------------------	----	--	---------------------

The SR26 is a great personal cooler. This cooler keeps your food & drinks colder longer and holds up to 38 cans, plus ice. It's very practical for everyday use and can be taken to work, camping, hunting, or fishing. You can comfortably carry this cooler anywhere!



INTEGRATED HINGE SYSTEM

Full-width continuous hinge with steel pin for perfect alignment and smooth operation



INTERLOCKING LID SYSTEM

Deep overlapping channel with a tough, freezer-grade flexible sealing gasket



DEEP MOLDED-IN HANDLES

Plenty of finger room ensures a solid grip for easier lifting. Also includes molded tie-down slots



COMFORTABLE ROPE HANDLES

Military-grade polyester rope with sliding grips that automatically re-center when lifted



ULTIMATE INSULATION

Commercial-grade polyurethane foam in the walls and lid can keep ice frozen for up to five days!



ROTOMOLDED CONSTRUCTION

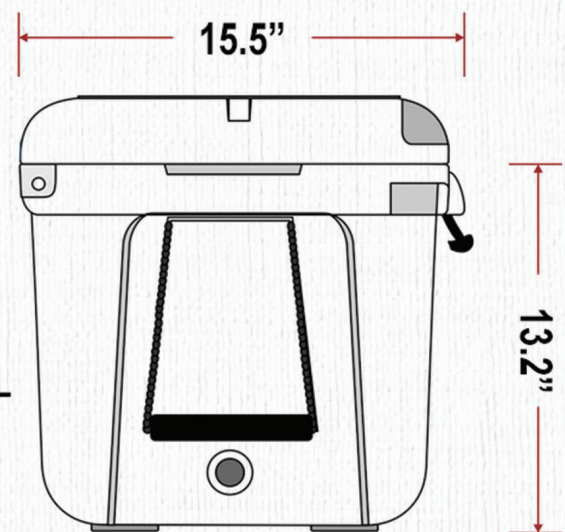
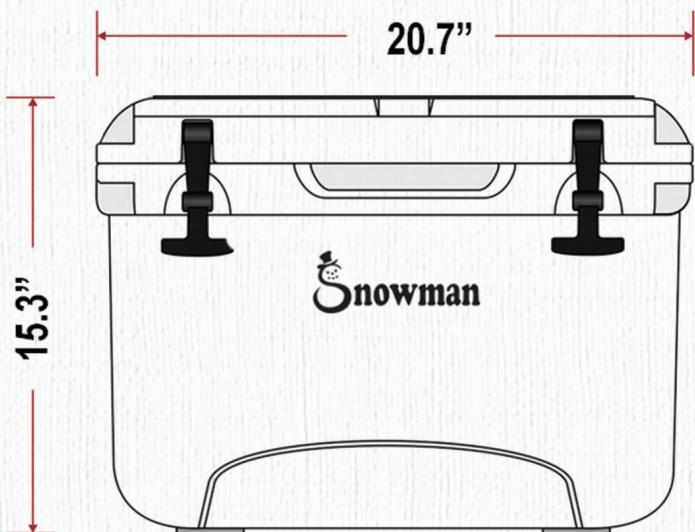
Virtually indestructible HDPE (high density polyethylene) shell that won't warp, crack, sweat or leak!



SUPERIOR DESIGN, INSIDE & OUT

Extra-thick walls hold up to two inches of closed-cell moisture-resistant insulation for unmatched thermal performance.

SR26





26
QUART
MODEL
SR26

Snowman

CHILL OUT WITH THE ULTIMATE COOLER



SR37 SNOWMAN COOLER

	50 CANS OF SODA	OR		32 POUNDS OF ICE
---	--------------------	----	--	---------------------

The SR37 is the right size for personal hauls or food for a small crew. It boasts up to three inches of insulation and a rugged rotomolded construction for optimum performance, making it the perfect portable cooler to take tubing down the river.



INTEGRATED HINGE SYSTEM

Full-width continuous hinge with steel pin for perfect alignment and smooth operation



INTERLOCKING LID SYSTEM

Deep overlapping channel with a tough, freezer-grade flexible sealing gasket



DEEP MOLDED-IN HANDLES

Plenty of finger room ensures a solid grip for easier lifting. Also includes molded tie-down slots



COMFORTABLE ROPE HANDLES

Military-grade polyester rope with sliding grips that automatically re-center when lifted



ULTIMATE INSULATION

Commercial-grade polyurethane foam in the walls and lid can keep ice frozen for up to five days!



ROTOMOLDED CONSTRUCTION

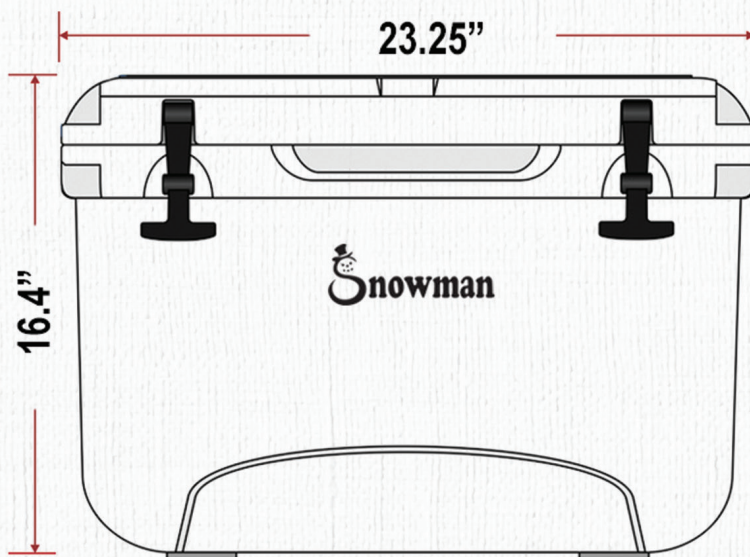
Virtually indestructible HDPE (high density polyethylene) shell that won't warp, crack, sweat or leak!



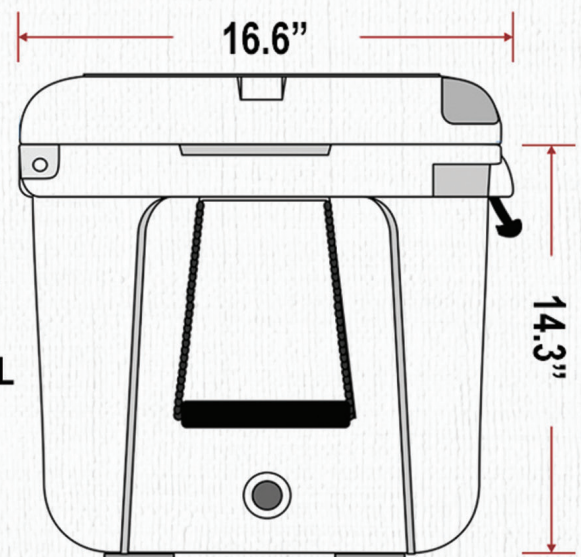
SUPERIOR DESIGN, INSIDE & OUT

Extra-thick walls hold up to two inches of closed-cell moisture-resistant insulation for unmatched thermal performance.

SR37



37
QUART
MODEL
SR37





Snowman

CHILL OUT WITH THE ULTIMATE COOLER



SR69 SNOWMAN COOLER

	116 CANS OF SODA	OR		58 POUNDS OF ICE
---	---------------------	----	--	---------------------

This model is one of the largest, super-durable coolers available on the market. The SR69 cooler is ideal for: fishing, hunting, camping or any outdoor adventure. Although a large cooler, the SR69 is still small enough for one person to carry!



INTEGRATED HINGE SYSTEM

Full-width continuous hinge with steel pin for perfect alignment and smooth operation



INTERLOCKING LID SYSTEM

Deep overlapping channel with a tough, freezer-grade flexible sealing gasket



DEEP MOLDED-IN HANDLES

Plenty of finger room ensures a solid grip for easier lifting. Also includes molded tie-down slots



COMFORTABLE ROPE HANDLES

Military-grade polyester rope with sliding grips that automatically re-center when lifted



ULTIMATE INSULATION

Commercial-grade polyurethane foam in the walls and lid can keep ice frozen for up to five days!



ROTOMOLDED CONSTRUCTION

Virtually indestructible HDPE (high density polyethylene) shell that won't warp, crack, sweat or leak!



SUPERIOR DESIGN, INSIDE & OUT

Extra-thick walls hold up to two inches of closed-cell moisture-resistant insulation for unmatched thermal performance.

SR69

